

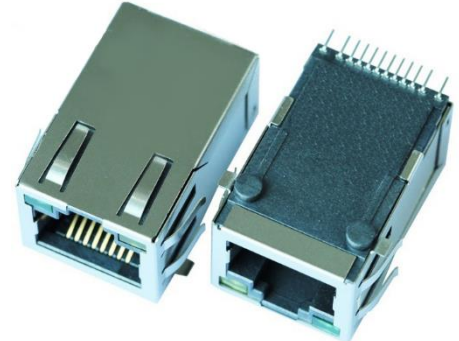
RJ45, magnetics

SRJ110001SHU020M

Description

The SRJ110001THD055M is a RJ45 connector with 10/100 Base-T, and integrated magnetics.

The connector is designed to support application such as SOHO (ADSL modems), LAN-on-Motherboards(LOM), Hub and Switches.



Typical applications

- Ethernet
- Network Switch
- Network Hub
- Modems



Features

Mechanical Properties

Description

Speed	10/100 Base-T
Number of ports	Single (1x1)
Latch	Up
Pin type	SMD
Application-Lan	Ethernet (NoN PoE)
Shielding EMI Tabs	With
Led	Include, 2 pcs
Color	Yellow, Green,
Housing material	Thermoplastic LPC+30%G.F. UL94V-0
Contact material	Copper alloy
Shield material	Copper Ally, Nickel plated
Contact Plating material	Gold 6 Micro-Inches Min. In contact area
Operating Temperature	-40°C~+85°C
Wave Peak Soldering	+265°C Max. 5 sec Max.
Dimensions	21.50 x 15.50 x 11.35 mm ± 0.1

RJ45, magnetics

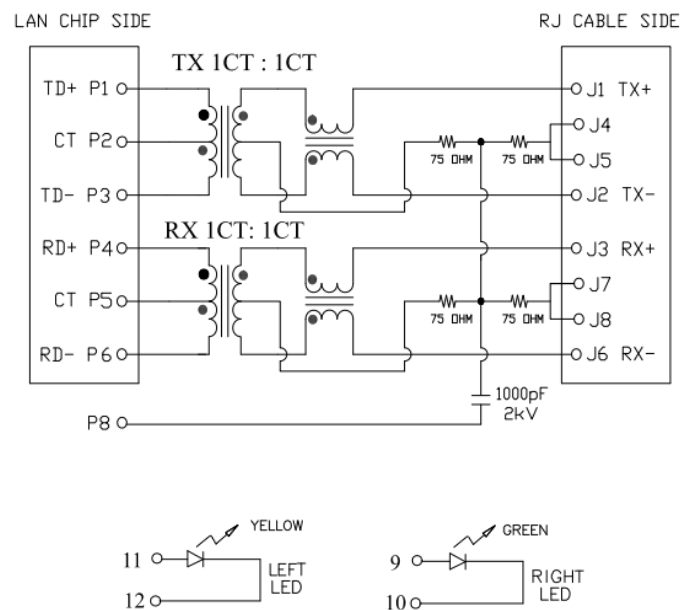
SRJ110001SHU020M

Electrical Properties

Description

Turn Ratio ($\pm 3\%$)	1CT : 1CT
Inductance OCL	350uH Min. @100KHz , 0.1V 8mA DC Bias
Insertion Loss	-1.0dB Max. @1-100MHz
Return Loss(dB min @ 100 Ω)	-18dB Min. @1-30MHz -16dB Min. @30-45MHz -14dB Min. @45-60MHz -12dB Min. @60-80MHz
Cross Talk	-35dB Min. @1-100MHz
Common Mode Rejection:	-35dB Min. @1-100MHz
Hipot Test:	1500Vrms

Electrical

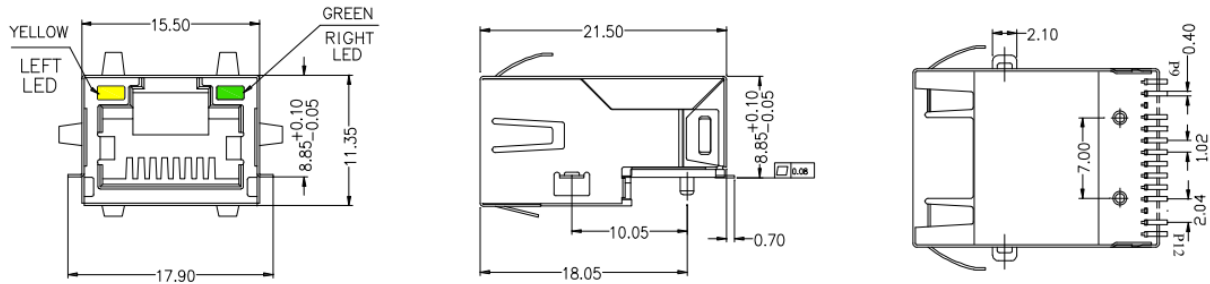


RJ45, magnetics

SRJ110001SHU020M

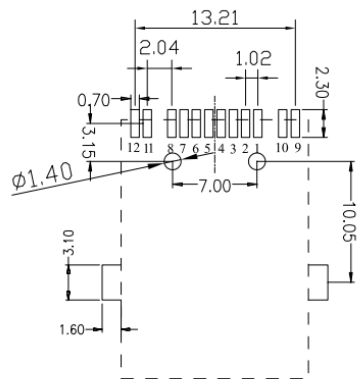
Dimensions

*unit: mm



PCB Footprint

*unit: mm



Suggested PCB Layout(Component side view)

Ordering information

Ordering can be done via www.summit-electronics.com or via info@summit-electronics.com. Please contact us for more information. Customisation of the product is available on request.

Technical support

For all product questions please contact us via info@summit-electronics.com

Document revision

Rev	Date	changes
V01.00	27-06-2023	First issue of document, EK